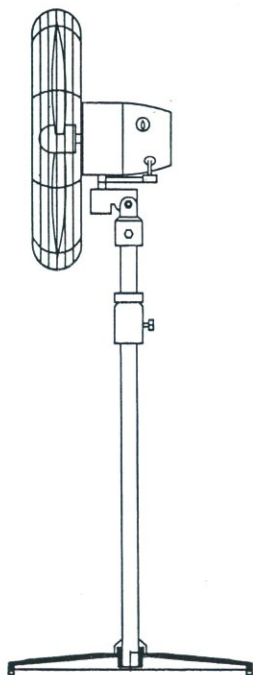
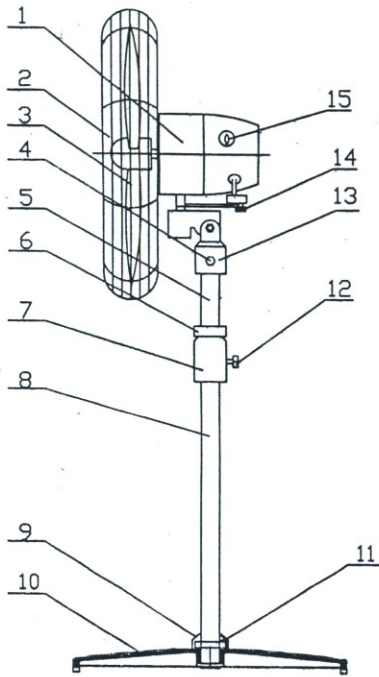


Vitali[®]

INDUSTRIAL POWERFUL FAN




Please read this manual carefully
before operating the fan



Stand Fan

1. Motor 2. Guard 3. Blade 4. Holding screw
5. Lift pipe 6. Rubber washer 7. Lower joint
8. Upright (Stand) pipe 9. Decorative cover 10. Pedestal
11. Screw 12. Fix screw 13. upper joint
14. Adjusting screw 15. Speed control switch

OPERATING INSTRUCTION

- 1、 Please mount the fan according to the mounting scheme.
Before mounting, Please check carefully all parts supplied for damage caused during the transport.
- 2、 The fan must use the voltage specified on the name plate.
It isn't suitable to use the fan in the too moist or corrosive surrounding.
- 3、 The fan has 3 speed stages which can be by rotating the speed control switch (15) on the fan. The numbers 0, 1, 2 and 3 on the indicator are respectively OFF, SLOW, MEDIUM and FAST stages.
- 4、 Adjusting of height of air flow of the stand fan:
 - a、 Lift: Hold firmly the lift pipe (5) or the upper joint (13), loosen the fix screw (12), set the fan to the required height, tighten the screw (12) and move the rubber washer (6) to the lowest end.
 - b、 Lower: Hold firmly the lift pipe (5) or the upper joint (13), loosen the fix screw (12), exert a force to slowly lower the fan to the needed position and tighten the screw (12).
- 5、 Adjustment of panning angle: Loosen the adjusting screw (14), move it to the needed position (the more outward the more bigger panning angle) and tighten the screw (14).
- 6、 Please attend to our remark: "INDOOR USE ONLY!"  $t_a 40^{\circ}\text{C}$
- 7、 If the supply cord is damaged, the manufacturer must replace it or its service agent or a similarly qualified person in order to avoid a hazard.

FEATURE AND APPLICATION

1. Optimized design, reasonable construction and graceful appearance.
2. Material of high quality such as aluminium alloy and advanced die casting technology are used so that the complete product has light weight, strong wind and low noise.
3. This fan can be up and downward adjusted and its rotation speed is also controlable and an overload protector is provided. The fan is easily, safely and reliably operated. It is ideal for cool-down, ventilation, heatstroke prevention to improve the environment in the stock house, workshop, mining area and other places.

WIRING DRAWING

