

Vitali[®]

BACK-PACK BRUSH CUTTER

USER'S MANUAL

MODEL:VB43

CONTENTS



INTRODUCTION/TECHNICAL DATA	1
GRAPHIC WARNINGS	2
SAFETY RULES & PRECAUTIONS	3
DESCRIPTION	6
ASSEMBLY	8
RULES FOR SAFE OPERATION	10
CUTTING WITH A NYLON HEAD	11
CUTTING WITH A BLADE	13
FUEL & OIL MIXTURE	15
PREPARING FOR OPERATIONS	16
OPERATIONS	17
MAINTENANCE & CARE	18
TRANSPORT, HANDLING/ EXTENDED STORAGE	19
TROUBLE SHOOTING	19
TROUBLESHOOTING GUIDE	20



INTRODUCTION

Thank you for your purchasing the brush cutter of our Company. The present manual explains how to handle the brush cutter well. Before using it, please read this operator's manual carefully, operate the machine correctly and engage in your task with safely. By the way, due to changes of specifications, all details of your machine may not agree with this manual. Please understand accordingly.

----- TECHNICAL DATA -----

MODEL		VB43	
Main unit	Remote type	Automatic centrifugal clutch; Spiral bevel gear; Flexible shaft	
	Maximum speed of gear shaft /engine speed (r/min)	7000/9000	
	Idle speed(r/min)	2500±150	
	Vibration values at each handle(m/s ²)	Brush cutter	≤9
		Grass trimmer	≤8.5
	Sound pressure values[dB(A)]	≤102	
	Sound power values[dB(A)]	≤120	
	Reduction ratio	17: 22	
	Blade rotation direction	Counter-Clockwise(seen from the top)	
	Type of handle	"D" grip	
	Weight when dry(kg)	10.3	
Engine	Name of engine	1E40F-5C	
	Type	Air-cooled; 2 cycle; vertical piston valve; gasoline engine	
	Displacement(mL)	42.7	
	Maximum output(kW/r/min)	1.25/6500	
	Carburetor	Float-type	
	Ignition	Non-contact electronic ignition	
	Method of starting	Recoil type	
	Fuel used	Gasoline mixed with lubricating oil (ratio of 30:1)	
	Fuel tank capacity(L)	0.9	
	Dry weight(kg)	4.2	
Fuel consumption(g/kW·h)	≤610(maximum output)		
Length of main pipe section(mm)		1280×Ø26	
Length of drive shaft section(mm)		1299×Ø8	
Standard blades(mm)		300mm 2-blade (300×1.6)	

Technical Data subject to changed without notice.

GRAPHIC WARNINGS

Because a trimmer/cutter is a high-speed, fast cutting power tool, special safety precaution must be observed to reduce the risk of personal injury. Read this manual carefully. Be familiar with the controls and the proper use of the unit. Know how to shut it off, and how to unhook a harnessed unit quickly.



This graphic accompanied by the words **WARNING** and **DANGER** calls attention to an act or a condition which can lead to **SERIOUS INJURY**.



READ & UNDERSTAND Operator's Manual and Safety Manual.



ALWAYS WEAR EYE AND EAR PROTECTION.



Always **TURN OFF ENGINE** and make sure the cutting tool has stopped before cleaning, removing or adjusting blade.



WARNING! Never modify a trimmer or cutter in any way. Improper use of any trimmer can cause **SERIOUS OR FATAL PERSONAL INJURY**.

WARNING  **DANGER**

The engine exhaust from this product contains chemicals to cause cancer, birth defects, of other reproductive harm.

Specifications, descriptions and illustrative material in this manual are as accurate as known at the time of publication, but are subject to change without notice. Illustrations may include optional equipment and accessories, and may not include all standard equipment.



SAFETY RULES & PRECAUTIONS

Proper safety precautions must be observed. Like all power equipment this unit must be handled carefully. **DO NOT EXPOSE YOURSELF OR OTHERS TO DANGER** Follow these general rules. Do not permit others to use this machine unless they are thoroughly responsible and have read, and understand the machine manual and are trained in its operation.

- Always wear safety goggles for eye protection. Dress properly , do not wear loose clothing or jewelry that could become caught in moving parts of the unit. Safe, sturdy, nonskid footwear should always be worn. Long hair should be tied back. It is recommended that legs and feet be covered to protect from flying debris during operation.
- Inspect the entire machine for loose parts (nuts, bolts, screws, etc.) and any damage. Repair or replace as necessary before using the machine.
- Do not use any attachment with this power head other than the ones recommended by our company. Serious injury to the operator or bystanders could result as well as damage to the machine.
- Keep the handles free from oil and fuel.
- Always use proper handles and shoulder strap when cutting.
- Do not smoke while mixing fuel or filling tank.
- Do not mix fuel in an enclosed room or near open flames. Assure adequate ventilation.
- Always mix and store the fuel in a properly marked container that is approved by local codes and ordinances for such usage.
- Never remove the fuel tank cap while the engine is running.
- Never start or run the engine inside a closed room or building. Fumes from the exhaust contain dangerous carbon monoxide.
- Never attempt to make engine adjustments while the unit is running and strapped to the operator. Always make engine adjustments with the unit resting on a flat, clear surface.

- Do not use the unit if it is damaged or poorly adjusted. Never remove the machine's guard. Serious injury to the operator or bystanders could result as well as damage to the machine.
- Inspect the area to be cut and remove all debris that could become entangled in the nylon cutting head. Also remove any objects that the unit may throw during cutting.
- Keep children away. Onlookers should be kept at a safe distance from the work area, at least 15 METER(50 FEET)
- Never leave the machine unattended.
- Do not use this unit for any job other than those for which it is intended as described in this manual.
- Do not overreach. Keep proper footing and balance at all times. Do not run the unit while standing on a ladder or on any other unstable footing location.
- Keep hands and feet clear of the nylon cutting head while unit is in use .
- Do not use this type of machine for sweeping away debris.
- Do not use the unit when you are tired, ill or under the influence of medication, drugs or alcohol.
- Use nylon cutting head which is free of damage. If a stone or any other obstacle is hit, stop the engine and check the nylon cutting head. A broken or unbalanced nylon cutting head must never be used.

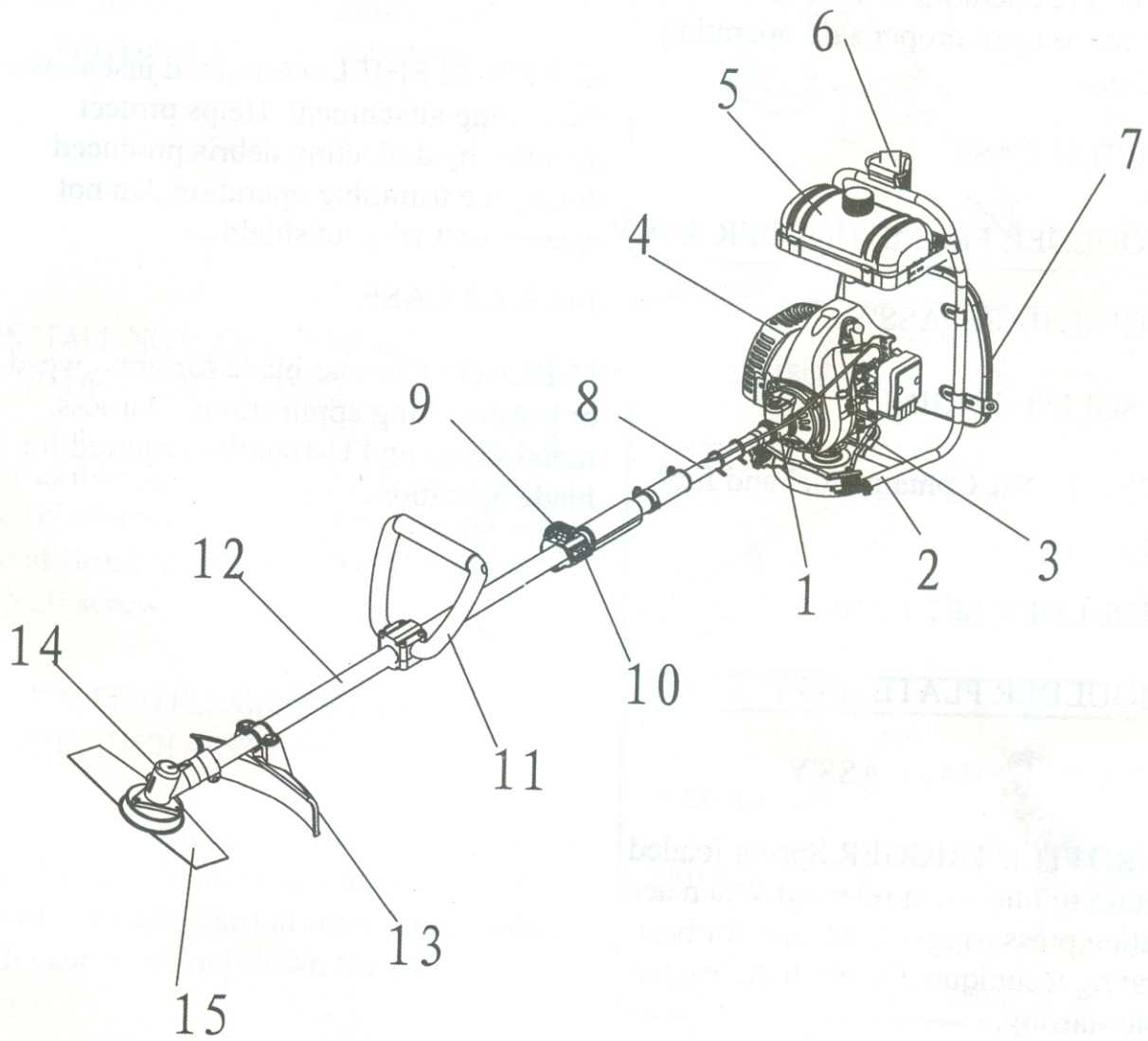
FOLLOW INSTRUCTION FOR CHANGING ACCESSORIES.

- Do not store in a closed area where fuel vapors can reach an open flame from hot water heaters, heaters, furnaces, etc. Store in a locked, well ventilated area only.
- ensure safe and proper performance of your product. These part are available from your dealer. The use of any other accessories or attachments may cause a potential hazard or injury to the user, damage to the machine and void this warranty.
- Clean the machine completely, especially, the fuel tank, its surroundings, and the air cleaner.
- When refueling, be sure to stop the engine and confirm that it is cooled down. Never refuel when the engine is running or hot. When gasoline spills, be sure to wipe it up completely and properly dispose of those materials before starting the engine.
- Stay clear of other workers or bystanders by at least 15 meters /50 feet.
- When ever approaching an operator of the machine, carefully call his attention and confirm that the operator stops the engine. Be careful not to startle or distract the operator which can cause an unsafe situation.
- Never touch the nylon cutting head when ever the engine is running. If it is necessary to adjust the protector or nylon cutting head, be sure to stop the engine and confirm that the nylon cutting head has stopped running.
- The engine should be turned off when the machine is moved between work areas.
- Be careful not to hit the nylon cutting head against stones, or the ground.

Unreasonable rough operation will shorten the life of the machine as well as create an unsafe environment for yourself and those around you.

- Pay attention to loosening and overheating of parts. If there is any abnormality of the machine, stop operation immediately and check the machine carefully. If necessary, have the machine serviced by a authorized dealer. Never continue to operate a machine which may be malfunctioning.
- In start-up or during operation of the engine, never touch hot parts such as the muffler, the high voltage wire or the spark plug.
- After the engine has stopped, the muffler is still hot. Never place the machine in any places where there are flammable materials (dry grass, etc.), combustible gasses or combustible liquids.
- Pay special attention to operation in the rain or just after the rain as the ground may be slippery.
- If you slip or fall to the ground or into a hole, release the throttle lever immediately.
- Be careful not to drop the machine or hit it against obstacles.
- Before proceeding to adjust or repair the machine, be sure to stop the engine and detach the spark plug cap from the spark plug.
- When the machine is placed in storage for a long time, drain fuel from the fuel tank and carburetor, clean the parts, move the machine to a safe place and confirm that the engine is cooled down.
- Make periodic inspections to assure safe and efficient operation. For a thorough inspection of your machine, please contact a dealer.
- Keep the machine away from fire or sparks.
- It is believed that a condition called Raynaud's phenomenon, which affects the fingers of certain individuals may be brought about by exposure to vibration and cold. Exposure to vibration and cold may cause tingling and burning sensations followed by loss of color and numbness in the fingers. The following precautions are strongly recommended because the minimum exposure which might trigger the ailment is unknown.
 Keep your body warm, especially the head, neck, feet, ankles, hands and wrists. Maintain good blood circulation by performing vigorous arm exercises during frequent work breaks and also by not smoking.
 Limit the hours of operation. Try to fill each day with jobs where operating the brush cutter or other hand-held power equipment is not required.
 If you experience discomfort, redness and swelling of the fingers followed by whitening and loss of feeling, consult your physician before further exposing yourself to cold and vibration.
- Always wear ear protection, loud noise for long time can make hearing debase even lost hearing.
 Total face and head protection must be wear to prevent damage from plummet or branch.
- Wear no-slip heavy duty work gloves to improve your grip on the brush cutter handle. Gloves also reduce the transmission of machine vibration to your hands.
- **WARNING:** The cutter area is still dangerous while the machine is coasting to a stop.

DESCRIPTION





DESCRIPTION

SAFETY MANUAL included with unit. Read before operating and keep for future reference to learn proper, safe operating techniques.

1. CLUTCH CASE

2. SHOULDER FRAME HOLDER ASS'Y

3. ENGINE BASE ASS'Y

4. GASOLINE ENGINE

5. FUEL TANK Contains fuel and fuel filter.

6. SHOULDER BELT ASS'Y

7. SHOULDER PLATE ASS'Y

8. FLEXIBLE SHAFT ASS'Y

9. THROTTLE TRIGGER Spring loaded to return to idle when released. When accelerating, press trigger gradually for best operating technique. Do not hold trigger while starting.

10. IGNITION SWITCH "slide switch" mounted on top of the Throttle Trigger Housing. Move switch FORWARD to Run, BACK to STOP.

11. D-HANDLE this handle can be adjusted at your convenience for comfort.

12. DRIVE SHAFT ASSEMBLY Contains a specially designed liner flexible drive shaft.

13. DEBRIS SHIELD Mounted just above the cutting attachment. Helps protect operator by deflecting debris produced during the trimming operation. Do not operate unit without shield.

14. GEAR CASE

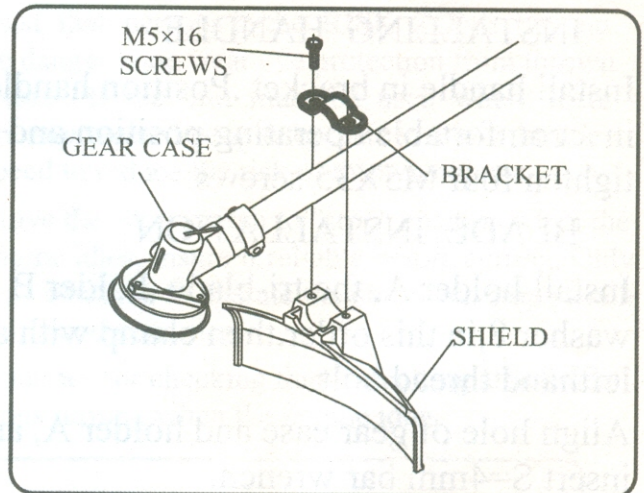
15. BLADE Circular blade for grass, weed or brush cutting applications. Harness, metal shield and U-Handles required for blade operation.

ASSEMBLY

INSTALLING PLASTIC SHIELD

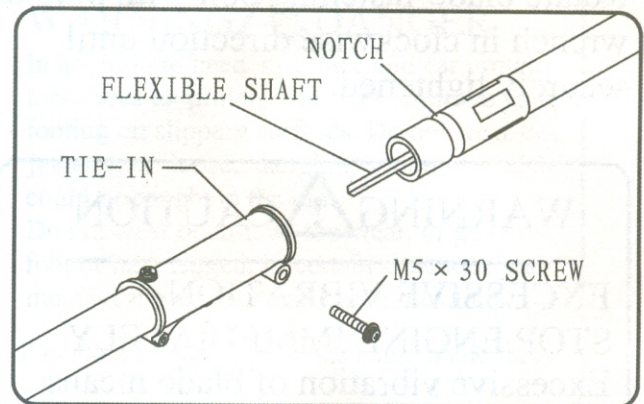
Install the safety cover on the shaft with the safety cover bracket and the screws provided.

Tighten the screws after setting the safety cover bracket at the appropriate position.



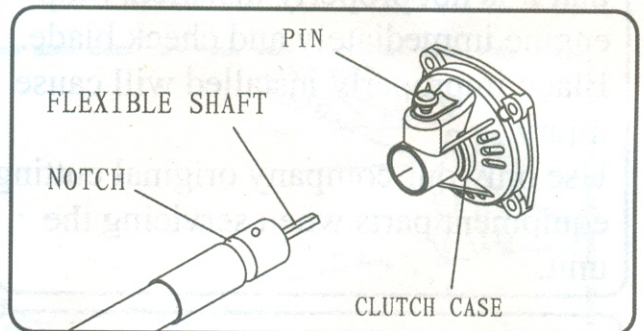
INSTALLING FLEXIBLE SHAFT ASS'Y AND DRIVE SHAFT ASS'Y

Put flexible shaft square-head in square hole of adapter, then aim the handle screw hole at flexible shaft notch and tighten M5X20 screw.



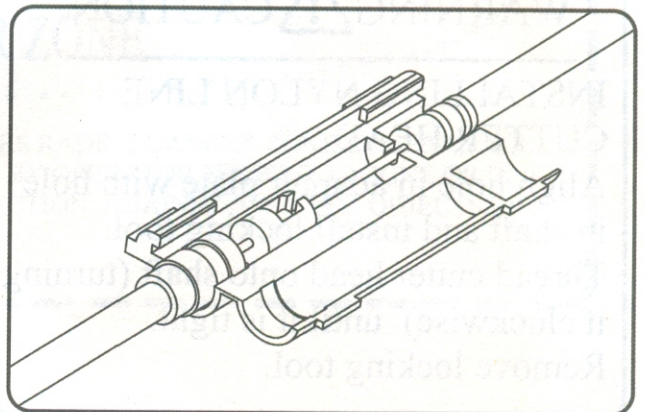
INSTALLING FLEXIBLE SHAFT ASS'Y AND CLUTCH ASS'Y

Put flexible shaft square-head in square hole of clutch case, raise the pin, aim $\Phi 7$ hole of flexible shaft at orientation hole of clutch case, then put down the pin.



INSTALLING MAIN CABLE COMP AND SUBORDINATE CABLE COMP

Get the main cable comp go to slot of the subordinate cable comp. Then put both of them on the appropriate location of the joining as shown.



ASSEMBLY

INSTALLING HANDLE

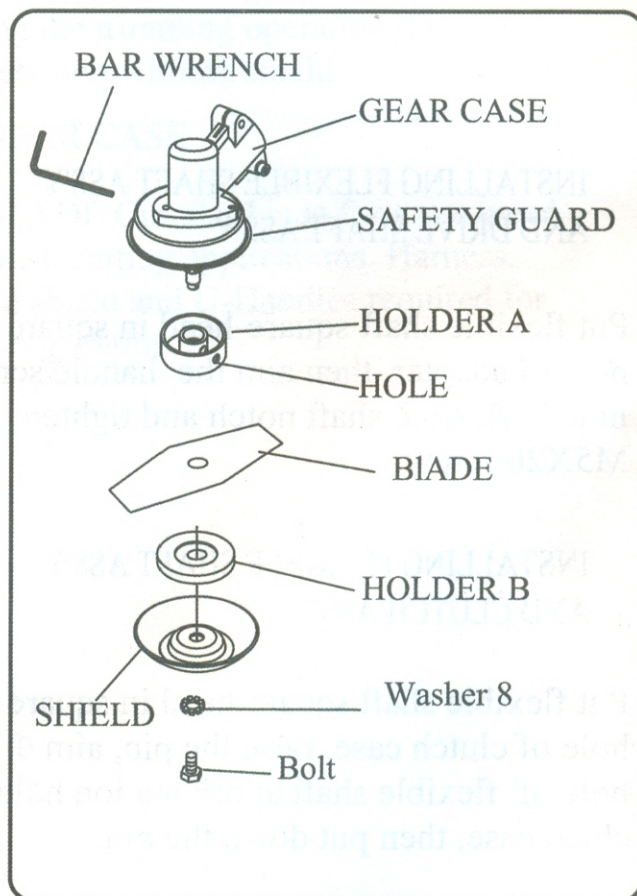
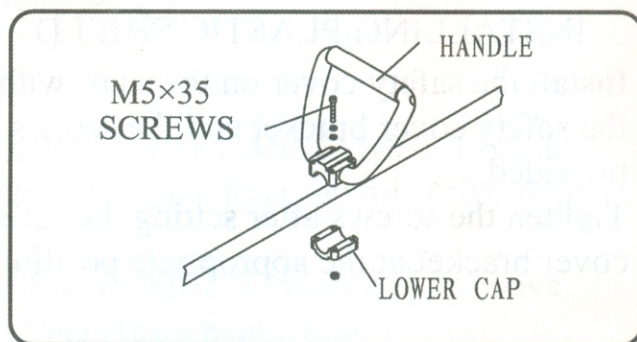
Install handle in bracket .Position handle in a comfortable operating position and tighten four M5X35 screws.

BLADE INSTALLATION

Install holder A, the tri-blade ,holder B , washer 8,in this order,then clamp with a lefthand thread bolt.

Align hole of gear case and holder A, and insert S=4mm bar wrench.

Rotate blade-fastening bolt with plug box wrench in clockwise direction until securely tightened.



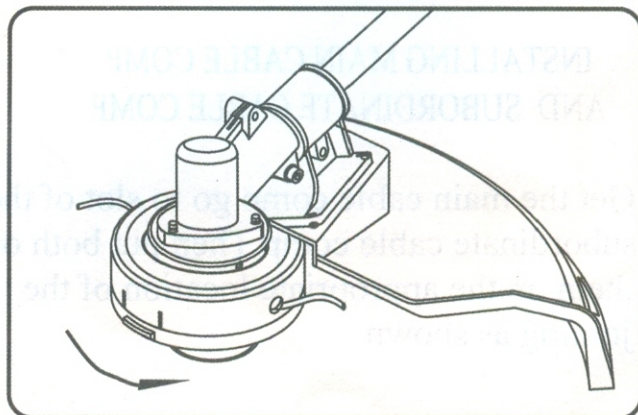
WARNING CAUTION

EXCESSIVE VIBRATION- STOP ENGINE IMMEDIATELY
Excessive vibration of blade means that it is not properly installed. Stop engine immediately and check blade. Blade improperly installed will cause injury.
Use only our company original cutting equipment parts when servicing the unit.

WARNING CAUTION

INSTALLING NYLON LINE CUTTER HEAD

Align hole in adapter plate with hole in shaft and install locking tool.
Thread cutter head onto shaft (turning it clockwise) until it is tight.
Remove locking tool.



RULES FOR SAFE OPERATION

WARNING DANGER

All models trimmers and brushcutters can throw small stone, metal or small objects as well as the material being cut. Read these "Rules for Safe Operation" with care.

Follow the instructions in your operator's manual.

Read the operator's manual carefully. Be thoroughly familiar with the controls and proper use of the unit. Know how to stop the unit and shut off the engine. Know how to unhook a harnessed unit quickly.

Never allow anyone to use the unit without proper instruction. Be sure the operator wears the foot, leg, eye, face and hearing protection. Do not rely on the debris shield on the unit to protect your eyes from ricocheting or thrown objects. Keep the area clear of bystanders, children and pets. Never allow children to operate or play with the unit.

Do not allow anyone to enter the operating DANGER ZONE with you. The danger zone is an area 15 meters in radius (about 16 paces) or 50 feet.

Insist that persons in the RISK ZONE beyond the danger zone wear eye protection from thrown objects. If the unit must be used where there are unprotected people, operate at a low throttle speed to reduce the risk of thrown objects.

Move the stop switch to "stop" position when the engine idles, insure it reliable before cutting. Only may continue to operate the unit when stop switch is in good condition.

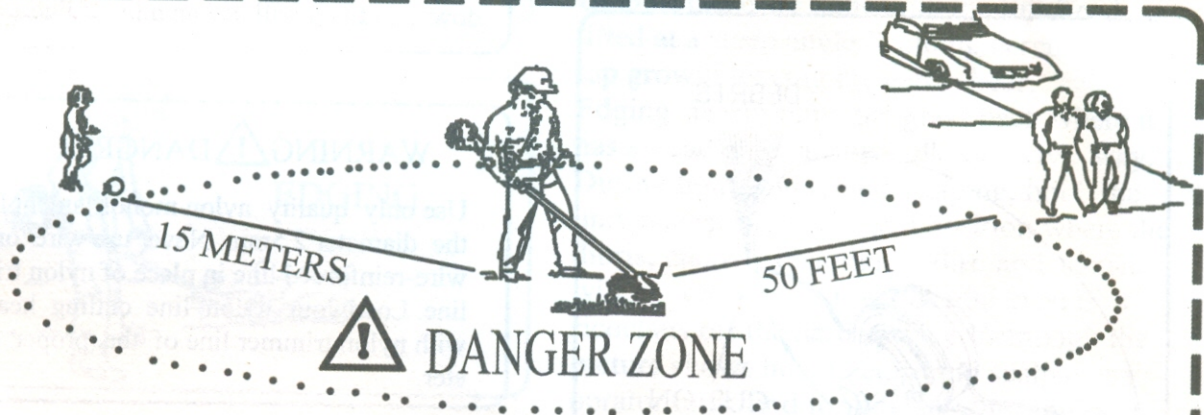
Routines for checking that the cutting attachment stops turning when the engine idles.

WARNING DANGER

In addition to head, eye, face and ear protectors shoes to protect your feet improve your footing on slippery surfaces. Do not wear ties, jewelry, or loose, dangling clothing which could be caught in the unit.

Do not wear open-toed footwear, or go bare-foot or bare legged. In certain situations you must wear total face and head protection.

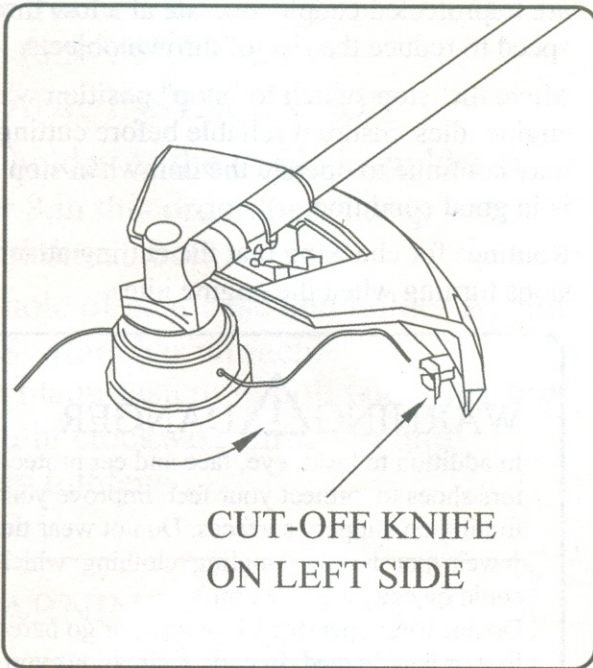
Pay attention not to kick back and blade thrust.



NO PERSON EXCEPT OPERATOR ALLOWED 15 METERS RADIUS DANGER ZONE. EYE, EAR, FACE, FOOT, LEG AND BODY PROTECTION MUST BE WORN BY OPERATOR. PERSONS IN ZONE OR RISK BEYOND DANGER ZONE SHOULD WEAR EYE PROTECTION AGAINST THROWN OBJECTS. RISK DIMINISHES WITH DISTANCE FROM DANGER ZONE.

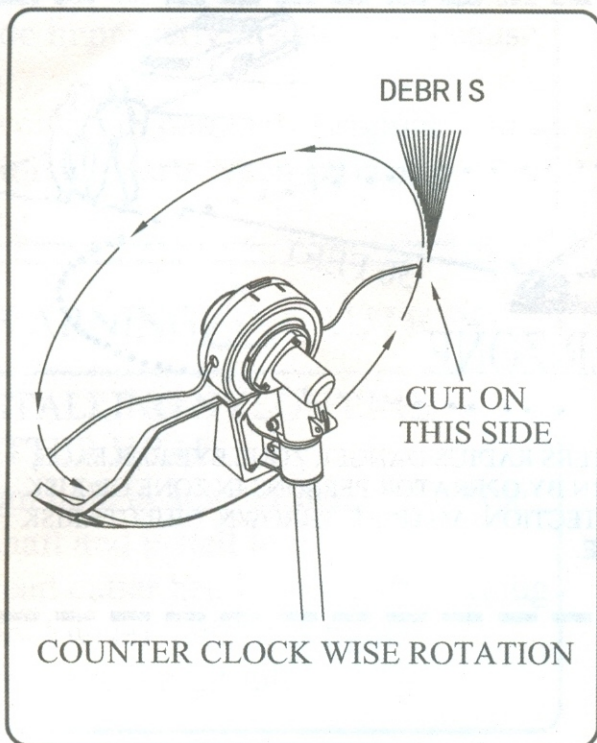


CUTTING WITH A NYLON HEAD



CUT-OFF KNIFE
ON LEFT SIDE

Line head rotates in a **CLOCKWISE** direction. The **CUT-OFF KNIFE** will be on the right side of the debris shield.



DEBRIS

CUT ON
THIS SIDE

COUNTER CLOCK WISE ROTATION

WARNING DANGER

The proper debris shield must be in place on the unit when nylon cutting line is used. The cutting line can flap around if too much line is exposed. Always use the plastic debris shield with cut-off knife when using nylon cutting heads.

For nearly all cutting, it is good to tilt the line head so that contact is made on the part of the line circle where the line is moving **AWAY** from you and the debris shield. (See appropriate picture) This results in the debris being thrown **AWAY** from you.

WARNING DANGER

Tilting the head to the wrong side will shoot the debris **TOWARDS** you. If the line head is held flat to the ground so that cutting occurs on the whole line circle, debris will be **THROWN** at you, drag will slow the engine down, and you will use up a lot of line.

WARNING DANGER

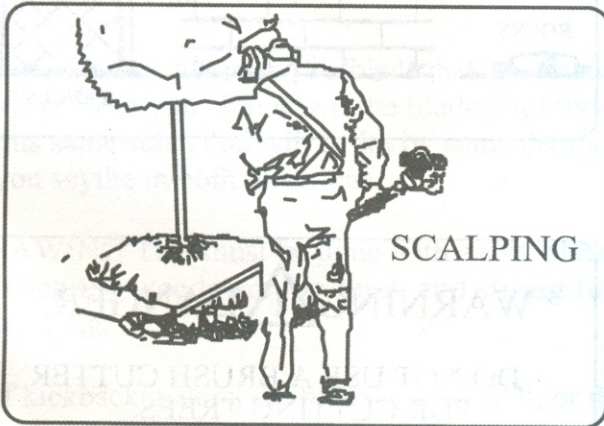
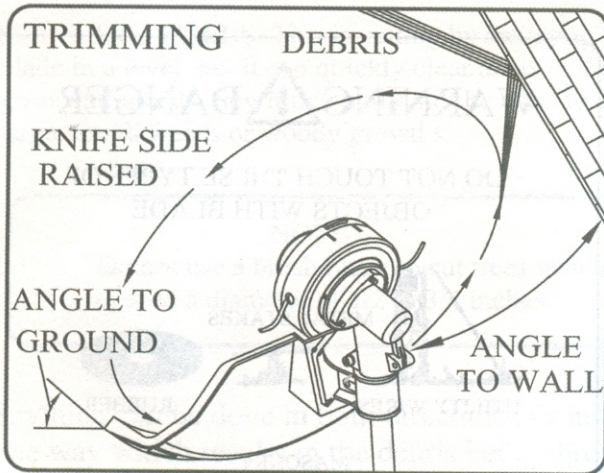
Use only quality nylon monofilament line of the diameter 2.5mm. Never use wire or wire-reinforced line in place of nylon trimmer line. Load your nylon line cutting head only with nylon trimmer line of the proper diameter.

WARNING DANGER

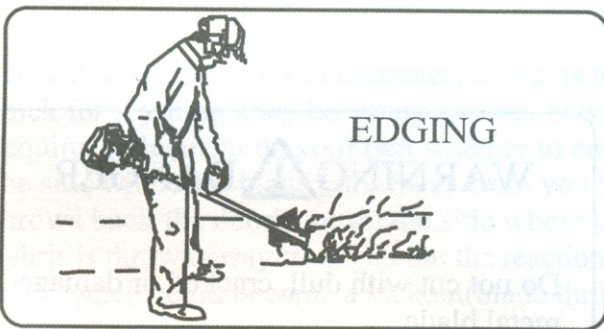
Use extreme caution when operating over bare spots and gravel, because the line can throw small rock particles at high speeds. Debris shields on the unit cannot stop objects which bounce or ricochet off hard surfaces.



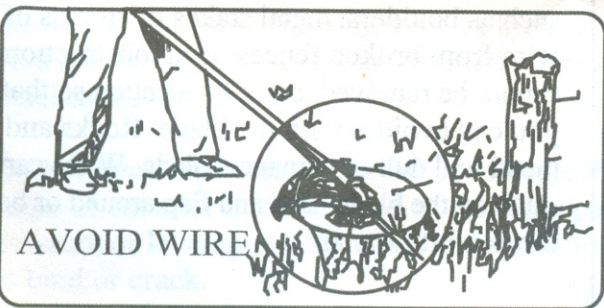
CUTTING WITH A NYLON HEAD



SCALPING



EDGING



AVOID WIRE

TRIMMING:

This is feeding the trimmer carefully into the material you wish to cut. Tilt the head slowly to direct debris away from you. If cutting up to a barrier such as fence, wall or tree, approach from an angle where any debris ricocheting off the barrier will fly away from you. Move the line head slowly until the grass is cut right up the barrier, but do not jam (overfeed) the line into the barrier. If trimming up to a wire mesh or chain linked fence be careful to feed only up to wire. If you go too far the line will snap off around the wire. Trimming can be done to cut through weed stems one at a time. Place the trimmer line head near the bottom of the weed - never high up which could cause the weed to chatter and catch the line. Rather than cut the weed right through, just use the very end of the line to wear through the stem slowly.

WARNING DANGER

Do not use a steel blade for edging or scalping.

SCALPING AND EDGING:

Both of these are done with the line head tilted at a steep angle. Scalping is removing top growth leaving the earth bare. Edging is trimming the grass back where it has spread over a sidewalk or driveway. During both edging and scalping, hold the unit at a steep angle and in a position where the debris, and any dislodging dirt and stones, will not come back towards you even if it ricochets off the hard surface. Although the picture shows how to edge and scalp every operator must find for himself the angles which suits his body size and cutting situation.

WARNING DANGER

Do not trim in any area where there are strands of fencing wire. Wear protective safety gear. Do not cut where you cannot see what the cutting device is cutting.



CUTTING WITH A BLADE




CUTTING WITH A BLADE

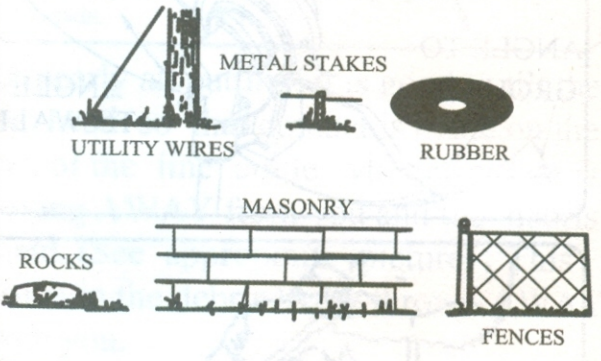
There are many different types of blades, however the two most commonly used are the following.

BRUSHBLADE is used for cutting brush and weeds up to 3/4" in diameter. Only CG420-2 255mm 3-blade can be used in this type of brush cutter.

SAWBLADE is used for cutting growth from 3/4" to 3" in diameter.


WARNING  DANGER

DO NOT TOUCH THESE TYPES OF OBJECTS WITH BLADE

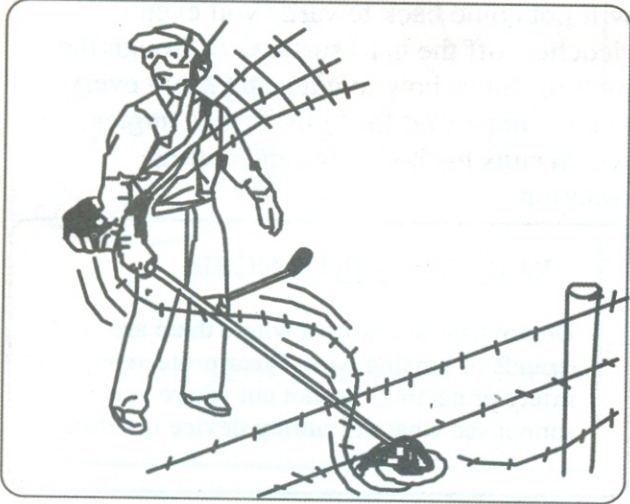


UTILITY WIRES METAL STAKES RUBBER

ROCKS MASONRY FENCES


WARNING  DANGER

Use the shoulder harness at all times. Adjust both harness and harness clamp on the unit so that the unit hangs a few inches above ground level. The cutting head and the metal debris shield should be level in all directions. Harness the unit on the right side of your body.



WARNING  DANGER

DO NOT USE A BRUSH CUTTER FOR CUTTING TREES.

WARNING  DANGER

Do not cut with dull, cracked or damaged metal blade.

Before cutting growth, inspect for obstructions such as boulders, metal stakes or strands of wire from broken fences. If an obstruction cannot be removed, mark its location so that you can avoid it with the blade. Rocks and metal will dull or damage a blade. Wires can catch on the blade head and flap around or be thrown into the air.



CUTTING WITH A BLADE

SCYTHING WEEDS. This is cutting by swinging the blade in a level arc. It can quickly clear areas of field grass and weeds. Scything should not be used to cut large, tough weeds or woody growths.

NOTE

Do not use a brush blade to cut trees which exceed a diameter of 1/2 to 3/4 inches.

Scything can be done in both directions, or just in one way which results in the debris being thrown away from you.

That is using the side of the blade that it is rotating away from you. Tilt down the blade slightly on this same side. You will be hit by some debris if you scythe in both directions.

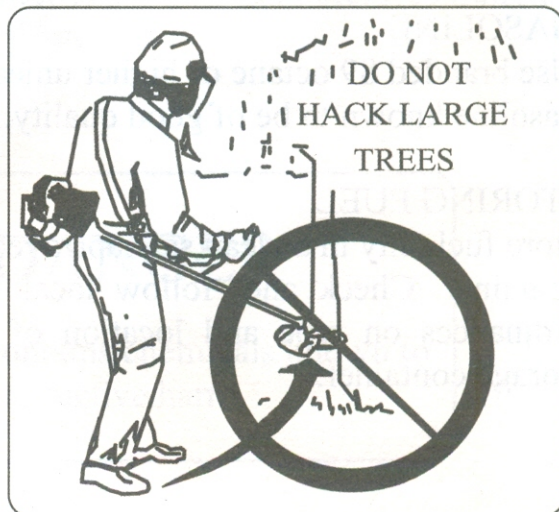
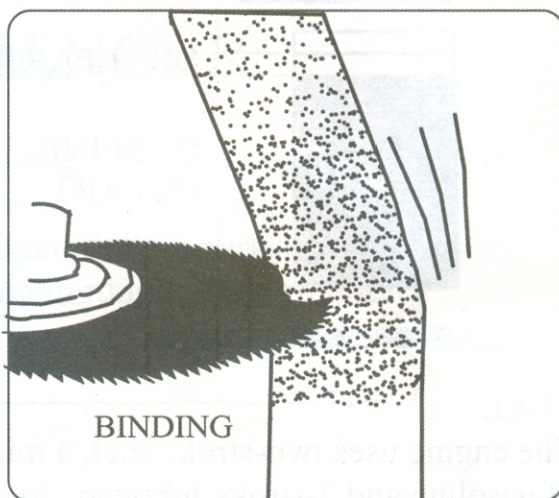
SAWING This must be done with a saw blade when the weeds are too thick and strong for scything.

If kickback occurs, the blade may be dull, or the material so thick and hard that you should use a saw blade instead of the brush blade.

Growth up to 3-inches in diameter, which is too thick for scything, may be cut by sawing. Sawing requires judgement on your part whether to cut on the side where the blade pulls away from you but throws back the debris, or on the side where the debris is thrown away from you but the reaction is push which could become a kickout (blade thrust).

Always cut on the side of the tree which will cause the tree to fall away from the unit. A kickout or bind may result if the tree falls toward the unit and pinches the blade.

Do not force the blade to cut. Do not change the angle of cut after into the wood. Avoid using any pressure or leverage which could cause the blade to bind or crack.



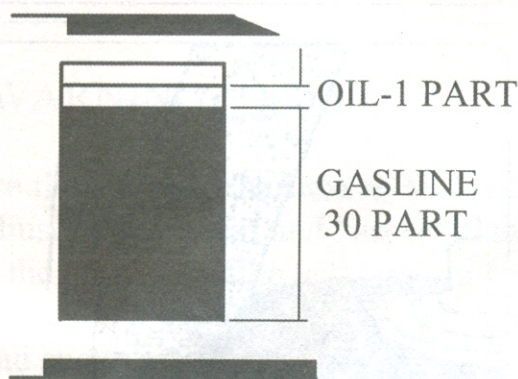
FUEL & OIL MIXTURE



WARNING

- Never fill the fuel tank to the very top.
- Never add fuel to the tank in a closed non-ventilated area.
- Do not add fuel to this unit close to an open fire or sparks.
- Be sure to wipe off spilled fuel before attempting to start engine.
- Do not attempt to refuel a hot engine.

Fuel used for this model is a mixture of unlead gasoline and approved engine lubricant. When mixing gasoline with two-cycle engine oil, use only gasoline which contains NO ETHANOL or METHANOL (Types of Alcohol) Use Branded 89 octane or higher unlead gasoline known to be of good quality. This will help to avoid possible damage to engine fuel lines and other engine parts.



MIXTURE RATIO IS 30:1

GASLINE-30 PART OIL-1 PART

Fuel mixture at the rate other than 30:1 may cause damage to the engine, Ensure mixture ratio is correct.

FUEL

The engine uses two-stroke fuel, a mixture of gasoline and 2-stroke lubricant 30:1

GASOLINE

Use branded 89 octane or higher unlead gasoline known to be of good quality.

STORING FUEL

Store fuel only in a clean, safe, approved container. Check and follow local ordinances on type and location of storage container.

IMPORTANT

Two-stroke fuel may separate. Shake fuel container thoroughly before each use. Stored fuel ages. Do not mix more fuel than you expect to use within a month.

FUEL AND OIL MIXTURE

Inspect fuel tank making sure that it is clean and fill with fresh fuel. Use a mixture of 30:1.

PREPARING FOR OPERATIONS

WHEN MIXING GASOLINE WITH TWO CYCLE ENGINE OIL, USE ONLY GASOLINE WHICH CONTAINS NO ETHANOL OR METHANOL (TYPES OF ALCOHOL). THIS WILL HELP TO AVOID POSSIBLE DAMAGE TO ENGINE FUEL LINES AND OTHER ENGINE PARTS.
DO NOT MIX GASOLINE AND OIL DIRECTLY IN THE ENGINE FUEL TANK.

IMPORTANT: Failure to follow proper fuel mix instructions may cause damage to the engine.

1. When preparing fuel mixture, mix only the amount needed for the job you are to do. Do not use fuel that has been stored longer than two months. Fuel mixture stored longer than this will cause hard starting and poor performance. If fuel mix has been stored longer than this time, it should be removed and filled with fresh mixture.

WARNING DANGER

2. Never fill the fuel tank to the very top. (under 3/4 of the tank)
3. Never add fuel to the tank in a closed non-ventilated area.
4. Do not add fuel to this unit close to an open fire or sparks.
5. Be sure to wipe off spilled fuel before attempting to start engine
6. Do not attempt to refuel a hot engine.

CHECK POINTS BEFORE OPERATION

1. Check for loose bolts, nuts and fittings.
2. Check the air cleaner for dirt. Clean the air filter of all dirt, etc. before operation.
3. Check to be sure that protector is securely in place.
4. Check to be sure that fuel is not leak.
5. Check to be sure that blade is no crack.

WARNING DANGER

The engine exhaust from this product contains chemicals known to cause cancer, birth defects, or other reproductive harm.

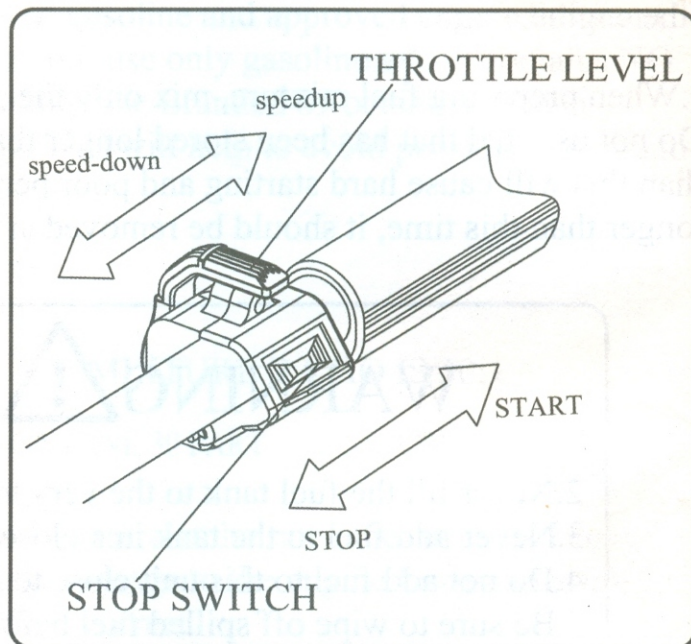
OPERATIONS



ENGINE STARTING AND STOPPING PROCEDURES

STARTING COLD ENGINE

1. Move the stop switch to "START" position.
2. Put the fuel cock on the "ON" station.
3. Cold Starts: Pull lever up to close choke.
4. Pull starter handle until engine false fires.
5. Push choke lever inwards(excessive cranking with choke lever will cause flooding engine making it difficult to start.)
6. Pull starter handle until engine starts.
7. Allow engine to warm up for a few minutes before using.



STARTING WARM ENGINE

- If fuel tank was not run dry, pull starter one to three times and engine should start.

DO NOT USE CHOKE

- If fuel tank was run dry, after refilling repeat steps 3 thru 7 in STARTING COLD ENGINE.

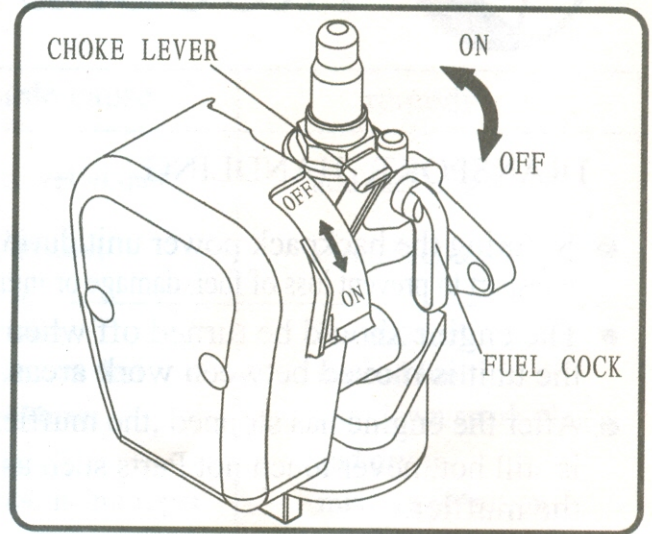
STOPPING THE ENGINE

- Move switch to STOP position.

MAINTENANCE & CARE

AIR FILTER

- Accumulated dust in the air filter will reduce engine efficiency. Increase fuel consumption and allow abrasive particles to pass into the engine. Remove the air filter as often as necessary to maintain in a clean condition.
- Light surface dust can readily be removed by tapping the filter. Heavy deposits should be washed out in suitable solvent. Remove filter cover by loosening air filter cover knob.



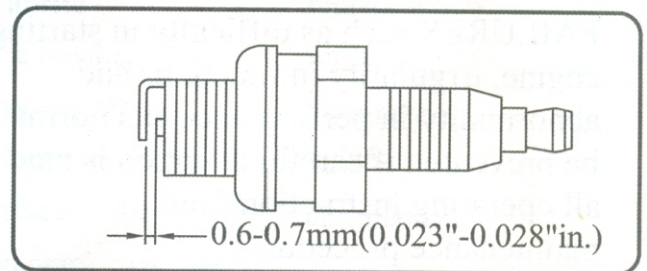
ADJUSTING CARBURETOR

NOTE

Do not adjust carburetor unless necessary. If you have trouble with the carburetor, see your dealer. Improper adjustment may cause engine damage and void warranty.

CHECK SPARK PLUG

- Do not attempt to remove the plug from a hot engine in order to avoid possible damage to the threads.
- Clean or replace the plug if fouled with heavy oily deposits.
- Replace the plug if the center electrode is worn rounded at the end.
- Spark gap 0.6-0.7mm (.023".028")
- Fastening torque
=145-155kg.cm(125-135in.lb)





MAINTENANCE & CARE

TROUBLE SHOOTING

TRANSPORT, HANDLING

- Securing the backpack power unit during transport to prevent loss of fuel, damage or injury.
- The engine should be turned off when the unit is moved between work areas.
- After the engine has stopped, the muffler is still hot. never touch hot Parts such as the muffler.
- Confirm that the fuel is not leaked from tank.

EXTENDED STORAGE

- Inspect, clean and repair unit if necessary.
- Remove all fuel from tank.
- Start engine-This will consume all fuel in fuel line and carburetor.
- Remove spark plug and pour one tea spoon of clean motor oil into spark plug hole of cylinder-replace spark plug.
- Store in clean, dry, dust free area.

FAILURES such as difficulty in starting engine, irregularity in functions and abnormality in performance can normally be prevented if careful attention is paid to all operating instructions and maintenance procedures.

Should the engine not function properly, check the following:

- That the fuel system is in good condition and fuel is flowing to the engine.
- The ignition system is in good condition and the spark plug, sparks correctly.
- Compression of the engine is adequate.

FAILURE TO START

- Dispose of fuel in tank.
- Insure that fuel is fresh and clean.
- Check fuel filter to make sure it is clean. (Replace filter if necessary).
- Make sure air filter elements are clean.
- Install new, properly gapped spark plug.
- When there is serious trouble with the unit, do not try to repair it yourself, but have your distributor or dealer do it for you.

TRUBLESHOOTING GUIDE

1.FAILURE TO START

symptom			probable cause	remedy
cylinder	spark	fule system abnormality	these is no fuel in tank fuel road obstruct	add fuel in tank clean fuel road
	plug spark	fule system normal	fule	instead fuel instead fuel tear down spark plug and dry it mixture proration
compress	normal	fule system normal	fule	there is too much fuel in cylinder mixture ratio is improper
pressure	fule system normal	high voltage wire spark normal	spark plug	spark plug fouled with oily deposits spark plug insulation damage spark gap is too large or small
normal		high voltage wire spark abnormality	spark plug	clean the oily deposits replace spark plug adjust spark gap 0.6-0.7mm
fule system normal	ignition system normal	compress press is shortage	high voltage wire breach or break off	replace or tighten
			coil looseness	tighten
fule system normal	ignition system normal	compress press is shortage	piston ring attrite piston ring is breaked piston ring cementation spark plug looseness conjoint surface of the cylinder and crank cass leak	replace a new replace eliminate tighten eliminate
			compress normal	high voltage wire and spark plug contact badness
			stop switch failure or short circuit	repair or replace

TROUBLESHOOTING GUIDE

2.LOW OUTPUT

symptom	probable cause	remedy
flameout when speedup the smoke is thin, carburetor spout backward	fuel road obstruct fall short of fuel muffler fouled with oily deposits	clean fuel road, adjust carburetor clean the oily deposits
compress press is shortage	piston、 piston ring、 cylinder attrite、	replace piston、 piston ring
engine leak	conjoint surface of the cylinder and crank cass leak	repair
the end of two crank shaft leak	the seal is bad	replace seal
	engine overheats burning room fouled with oily deposits	avoid use it for long time 、 high speed and heavy load clean the oily deposits

3.ENGINE RUNNING UNSTABLE

symptom	probable cause	remedy
there are knock sound in engine	piston、 piston ring、 cylinder attrite、 piston pin、 piston attrite bearing of crank shaft attrite	replace piston、 piston ring replace piston pin、 piston replace bearing
there are metal knock sound	engine overheats burning room fouled with oily deposits gasoline branded is unfit	avoid use it for long time 、 high speed and heavy load clean the oily deposits replace require branded octane
engine ignition break off	there is water in fuel spark gap is wrong coil gap is wrong	instead fuel adjust spark gap 0.6-0.7mm adjust coil gap 0.3-0.4mm

4.THE ENGINE SUDDENLY STOPPED

probable cause	remedy
fuel is use up spark plug fouled with oily deposits and short circuit high voltage wire fall off	add fuel clean the oily deposits connect