

# TOKAI®

## LAWN MOWER TM46



# OWNER'S MANUAL

IMPORTANT: KEEP THIS INSTRUCTION MANUAL IN A SAFE PLACE FOR FUTURE REFERENCE. THEY CONTAIN IMPORTANT INFORMATION ABOUT YOUR MOWER

## CONTENTS

Important Safety Icons	1
Description	1
Preparation	1
Assembly Of Tokai Mower: Handle	2
Catcher	2
Running the Engine	2
Cut Height Control	3
Maintenance: Blade	4
Oil Change	4
After Mowing	4
Trouble Shooting	4

## SAFETY PRECAUTIONS

Please read the following instructions carefully and pay particular attention to safety information before attempting to use!



Read carefully information that is particular important for your safety.



Safety precautions should be followed. Keep bystanders, children, and pets away from working area.



Keep hands and feet clear from all moving parts when starting or running of machine.



Avoid inhaling emission of toxic gas which may be of potential harm to body. Operate mower only at well ventilated area.



Beware of hot surface

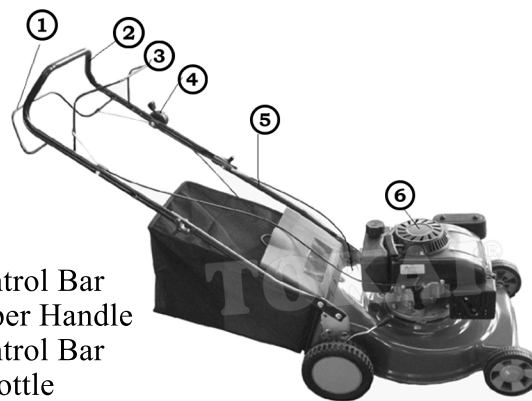


An appliances should never be left unattended when plugged in. Stop engine and disconnect plug before carrying out any operation.



Never fill up the fuel tank while the engine is running..

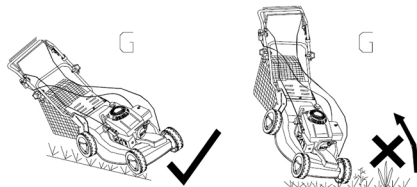
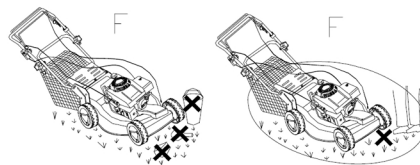
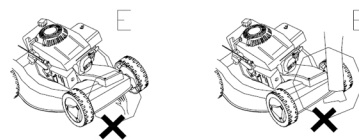
## DESCRIPTION



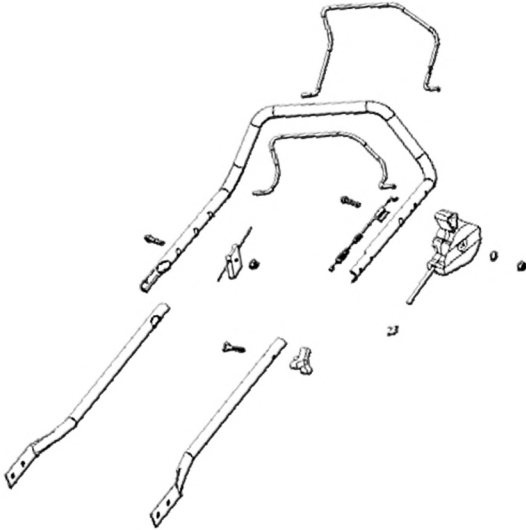
1. Control Bar
2. Upper Handle
3. Control Bar
4. Throttle
5. Lower Handle
6. Engine

## PREPARATION

1. Thoroughly inspect the area where the equipment is to be used and remove all stones, sticks, wires, bones and other foreign objects before mowing, they could be thrown by the blade.
2. Do not operate the equipment when barefoot or wearing open sandals. Always wear protective footwear and long trousers. It is advisable to wear suitable eye protection.
3. Check the fuel before starting the engine. Do not fill the fuel tank indoor, never remove the fuel cap of the fuel tank or add fuel when the engine is running or until it has been allowed to cool for several minutes before running. Clean off any spilled fuel before starting the engine.
4. Never attempt to make a wheel height adjustment while the engine is running.
5. Mow only in daylight and always keep children away from the mowing area.

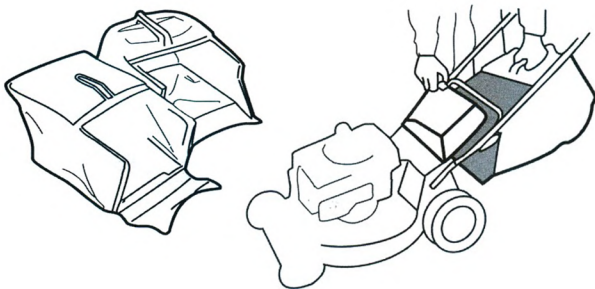


## ASSEMBLY OF THE HANDLE



Open out the handle and screw the handles parts with the two screws and plastic nuts. Put the recoil starter support on the right of the handle and fix the cable with the plastic collar. Introduce the rope of the recoil starter handle on its support guide rope.

## ASSEMBLING THE GRASS CATCHER



- 1 The catcher should be fitted to and removed from the mower only when the engine has stopped.
2. Fit the nylon catcher with the metal frame. Adjust accordingly.
3. Stop the engine and stand. Grasp the catcher handle and lift slightly while raising the safety flap. Lift the catcher clear and lower the flap to cover grass discharge outlet.
4. **Emptying Catcher**  
Dump the grass waste by holding it vertical, using the rear handle of the moulded catcher or holding the rare end of the steel frame, shake it if necessary to dislodge a full load.

## RUNNING THE ENGINE

1. Check all nuts, bolts and screws are well tightened.
2. Before mowing, place the grass catcher in its position.
3. Start the engine carefully with feet well away from the blades. Always wear proper attire, long trousers and strong footwear.
4. Do not change the engine governor settings or over-speed the engine. Excessive speed is dangerous and shortens mower life.
5. Don't mow over heavy or solid objects as striking them with the blade can cause serious damage to the engine and will void your warranty.
6. Blade is in action as soon as engine started. While the machine is working maintain the security handle in working position. The engine will stop as soon as you release the engine control bar.
6. If the Tokai mower ever vibrate abnormally, stop the engine. disconnect the spark plug wire, and check immediately for the cause. Vibration is generally a warning for trouble.
7. Stop the engine whenever you leave the mower, even for a moment, before cleaning the mower housing, and when making any repair and inspections.
8. When cleaning, repairing or inspecting, make certain the blade and all moving parts have stopped and that the engine has had time to cool. Disconnect the spark plug wire, and keep the wire away from the plug to prevent accidental starting.
9. Do not run the engine indoors. Lethal exhaust gases can be produced.
10. Shut the engine off and wait till the blade comes to a complete stop before removing the grasscatcher and un-clogging the chute.
11. Mow across the face of slopes, never up and down. Exercise extreme caution when changing directions and slopes. Do not mow excessively steep slopes.

12. Never pick up or carry Tokai mower when it is operating.
13. Turn the fuel off at the conclusion of mowing and reduce the throttle setting during running out.

**WARNING:** After you have stopped the engine the blade will be still in motion for a few seconds.

The engine will stop as soon as you release the engine control bar.



## CUTTING HEIGHT CONTROL

The single point cut height control adjusts all four wheels simultaneously. To operate, steady the Tokai mower by grasping the handle with one hand, pull the lever outwards from the Tokai mower with the other hand, and move it to the desired setting.

For wet, heavy or very long grass it is recommended to adjust the setting the Tokai mower to higher level to avoid possibility of clogging. If clogging become persistent because of unfavourable conditions, try walking slower, cutting a narrower strip or raising the cutting height more.

## MAINTENANCE



### HINTS FOR EASY STARTING

1. Stand the mower on a paved drive or path where the blade are clear of the grass. If you must start on the lawn, move to an already cut area and/or raise the cutting height. Do not start the mower on the gravel surface.
2. Start a warm engine with the control in the SLOW position.
3. Keep the Tokai mower clean underneath.

### HARD STARTING CHECK LIST

Look for these faults;-

- |   |   |
|---|---|
| <p><b>Fuel</b></p> <ol style="list-style-type: none"> <li>1. Insufficient fuel in the tank</li> <li>2. Fuel tap shut off</li> <li>3. Stale fuel</li> <li>4. Water or dirt in fuel</li> <li>5. Blocked air vent in fuel tank cap.</li> </ol> <p><b>Ignition</b></p> <ol style="list-style-type: none"> <li>1. Loose spark plug wire</li> <li>2. Dirty spark plug electrodes</li> <li>3. Incorrect spark plug gap</li> <li>4. Incorrect spark plug type</li> </ol> <p><b>Others</b></p> <ol style="list-style-type: none"> <li>1. Choked Air Filter (Dirt or Oil)</li> <li>2. Engine control cable mis-adjusted.</li> <li>3. Cutting blade obstructed.</li> </ol> | <ol style="list-style-type: none"> <li>1. For four stroke engine please read carefully the maintenance manual. Check regularly the oil level and add some oil or replace it if necessary.</li> <li>2. Frequent check the lawnmower and ensure that all grass deposits are removed from beneath the deck.</li> <li>3. Lubricate regularly the wheel axle and the bearings with grease.</li> <li>4. Check often the blade, in order to obtain a clean work the blade should always be sharp and well balance.</li> <li>5. At regular intervals check the tightening of all bolts and screws. Replace worn or damaged blades and bolts in sets to preserve the balance. Note that damaged blades and worn bolts are major hazard.</li> <li>6. Check the grass catcher bag frequently for deterioration and wear, and replace worn bags.</li> <li>7. Allow the engine to cool before storing in any enclosure.</li> </ol> |
|---|---|

## BLADES

### Damaged Blades And Worn Bolts Are Major Hazards

Check the blade mounting bolts at frequent intervals for proper tightness.

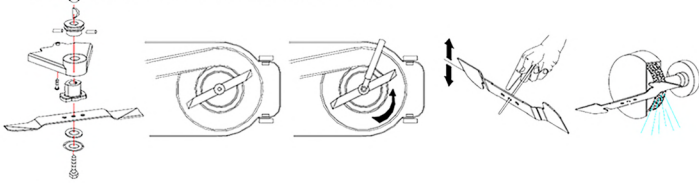
Check the blade condition frequently, particularly if the mower has a hit on foreign objects or is vibrating. sub-standard cutting and catching will result from neglected blade.

The blade is made of pressed steel. In order to obtain a clean work sharpen blade frequently, around 25 hours of work.

When reassembling the blade, make sure that the cutting edges face in the direction of the engine rotation. The blade screw must be torque to 37Nm or 37 KGm with a dynamometric tool.

Always use original spare parts. Spare parts of bad quality can involve important prejudicial for your safety.

### FITTING OF BLADE



### GASOLINE

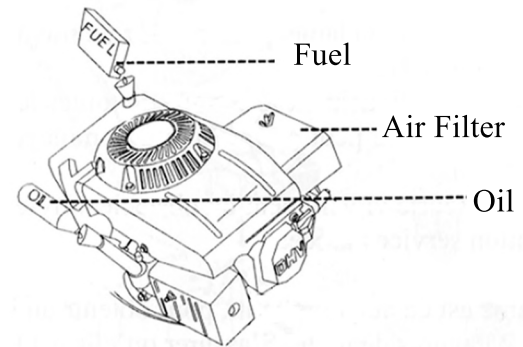
**WARNING**  
GASOLINE IS HIGHLY  
INFLAMMABLE



Fill up the tank with a funnel, do the operation in open air. Do not smoke. Do not use mobile phone.

Fill up with gasoline and oil before starting the engine. Never open the cap of the fuel tank to add gasoline while the engine is running or still hot.

Do not start the engine if there is some gasoline spilled around, take the mower away from the zone where gasoline have been spilled and avoid any contact from a hot source until the spilled gasoline is completely evaporated.



### AFTER MOWING - Cleaning



Stop the engine and remove the catcher. Start the engine, apply a garden hose to the wash port with good flow of water for 2 to 3 minutes. Hose the grass catcher and leave dry.

Do not hose the engine, as water can damage the air cleaner and ignition system. Store Tokai mower on its wheels, not its side.

### TROUBLE SHOOTING

Trouble	Probably cause	Solution
Uneven or poor cut	Blunt blade	Sharpen Blade
Heavy Mulch left on cut strip	Cutting height is too low for the height of the grass being cut.	Adjust the cutting height to approx. one third of the length of the grass. Then, work down to the desired height.
	Engine not running at proper speed.	Move the throttle to fast.
	Underside of the mower's deck is clogged with wet grass clippings	Hose off the underside of the mower using the cyclowash hole in the mower body.