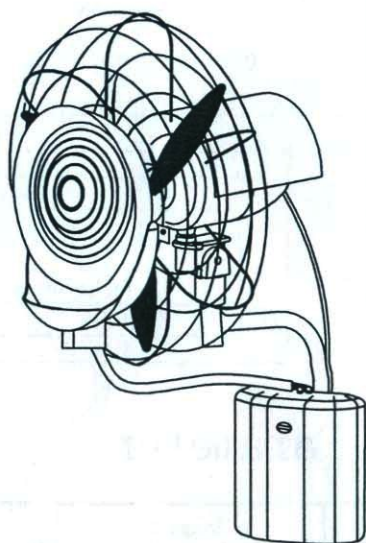


Deton

Mist Cooler 26" (Wall Type)

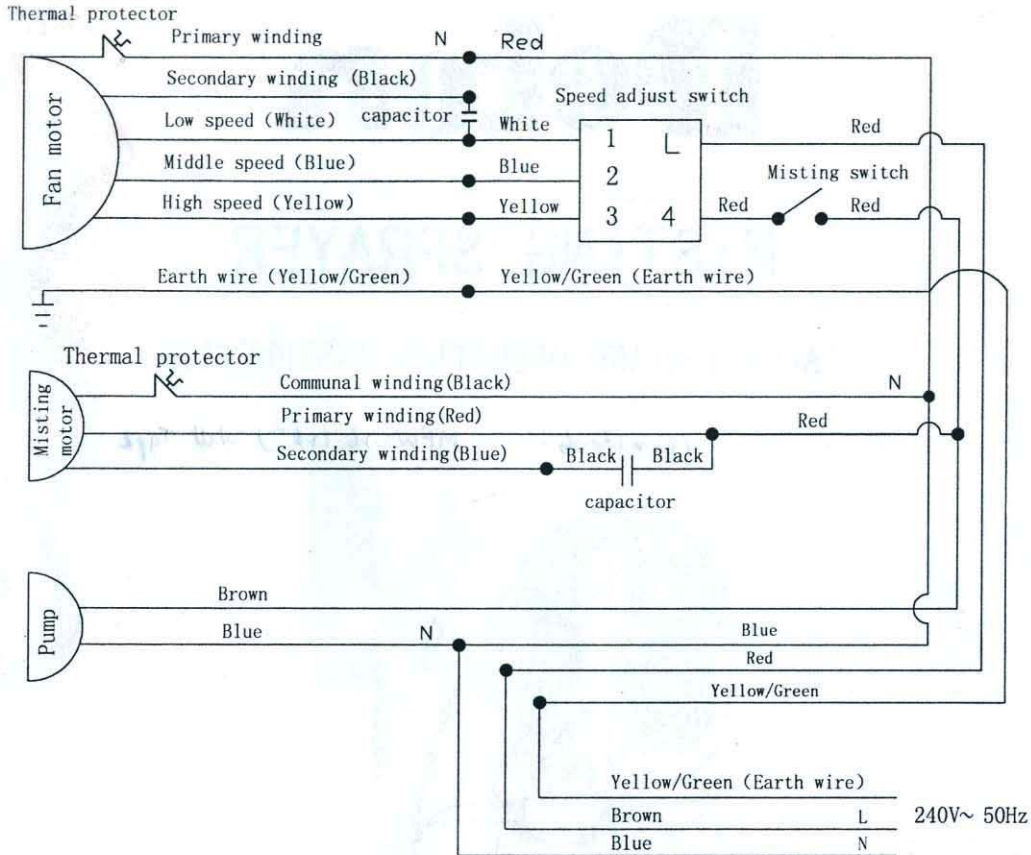
MFW-26

INSTALLATION AND OPERATION INSTRUCTIONS



Before operating this unit, please read instructions completely

WIRING DIAGRAM



Parameter

Performance Model	Item	Stage 1				Stage 2				Stage 3				Mist volume (Max) L/h
		Speed rpm	Air volume m ³ /min	Noise dB	Power W	Speed rpm	Air volume m ³ /min	Noise dB	Power W	Speed rpm	Air volume m ³ /min	Noise dB	Power W	
MFW-24		1100	170	52	305	1250	198	56	315	1400	258	62	360	7.5
MFW-26		1100	192	55	325	1250	224	60	335	1400	292	68	380	7.5

Note: No further notice if above indices change.

FEATURE AND APPLICATION

1. Utilizes CAD optimized design, good and graceful-looking.
2. The machine misting system adopts centrifugal misting excellent design, reasonable structure and easy maintenance.
3. The machine surface adopts outdoors' epoxy coating, which makes the machine be good rust prevention and long service life. The machine has waterproof electric facility, which makes the machine operate safe.
4. The misting and blowing is separately moved by different motor. Motor adopts high quality bearing, so the motor is with stable performance, low temperature-rising, low noise and strong overload.
5. The machine's misting effect is very excellent, and it can be adjusted the misting magnitude at random. The electriferous parts of water pump collocate complete insulating close protection-equipment, which makes the machine is convenient and reliable.
6. The machine has the performance of automatic water, which makes the machine can mist perennially and need not people to inject water.
7. The machine has oscillation installation, and the blow angle can be adjusted, so it is easily, safely and reliably operated. It is suitable for cooling, dust and peculiar smell prevention in factory, household, marketplace and field; it also can be used in animal breeding field, flower greenhouse and mushroom breeding field and other special fields.

OPERATION INSTRUCTION

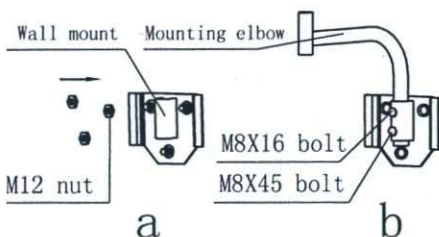
1. The machine must use the voltage, frequency specified on the nameplate. It isn't suitable to use in the too corrosive surrounding.
2. Do not install this machine in places where the altitude is higher than 1,000 meters or temperature is over 40 °C.
3. When socket is used in power supply, the socket should meet the IEC335-1 standard; when power liner is from direct power supply, a polarity switch should be installed with contact gap not less than 3mm on the fixation wiring.
4. The machine oscillation angle adjustment: Loosen the oscillating screw and move it to the needed position (the more outward the more bigger oscillation angle) and tighten this oscillating screw.
5. The machine pitching angle adjustment: Loosen the fixing nut and move the motor to the needed position and tighten this fixing nut.
6. The machine has two cord switches. The forward one is speed-adjusted switch that controls high & medium & low for fan motor and the backward one is misting switch which controls misting motor and water pump. Misting switch can be used only when speed-adjusted switch is got through. Details as following: First pulling is low level for fan motor; Second pulling is medium level; Third pulling is high level; Fourth pulling is power off. They circulate like this. For misting switch, first pulling is to get through misting motor and water pump; Second pulling is to cut off power supply of misting motor and water pump. They circulate like this.
7. If the machine is selected to operate by misting mode, its misting magnitude can be adjusted optionally between "OFF" and "ON".
8. Please do clean water tank before using.
9. When discharge water after cleaning the water tank, you can open the cover on the bottom of water tank to emit water (Pls see picture 3 for the cover).

INSTALLATION SKETCH MAP

Please refer to this sketch map during installation, check carefully all parts before installing to avoid lack or damage during transportation. Gently take and move all parts to avoid damage.

1. Install wall mount.

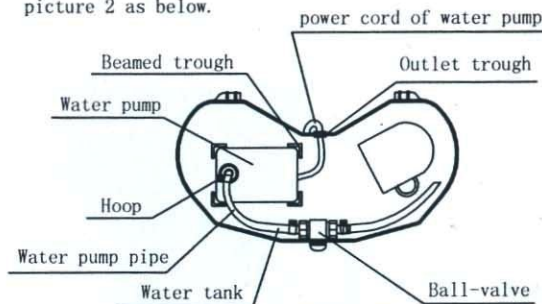
- a. Use three pieces of M12 (The length of bulgy bolt should not be shorter than 80mm, when take out the bolt's head, its height should not be taller than 28mm) inflate bolts to fix the wall mount support on wall.
- b. Install mounting elbow in the wall mount, make M8X45 bolts aim at $\varnothing 8$ holes of mounting elbow, and fasten the bolts. See picture 1 as below.



Picture 1

2. Take out and install the water pump.

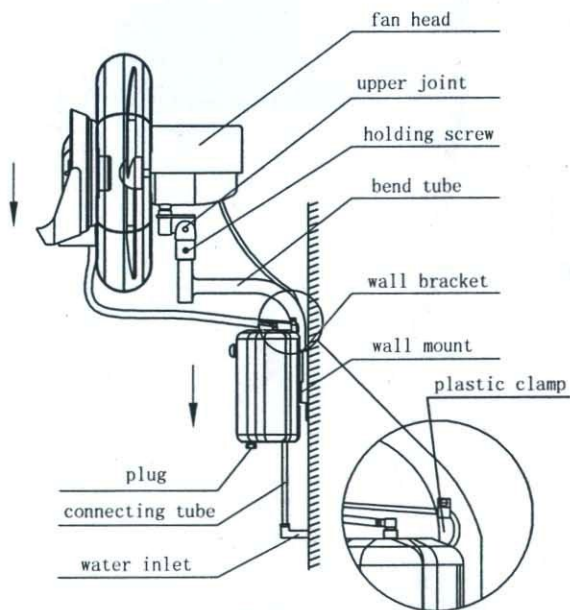
- a. Take out water pump carefully before breaking foam. Don't take out water pump by pulling power cord and water pipe.
- b. Connect the water pump pipe on the left of ball-valve with water pump tie in, then fix the water pump pipe by hoop.
- c. Place water pump upright on beamed trough in water tank correctly, fix the water pump on the bottom of water tank by using the four pieces of osculum on the bottom of water pump. (Pay attention to the direction of water pump).
- d. Place power cord of water pump in the outlet trough, then cover the water tank cover well. See picture 2 as below.



Picture 2

3. Installation fan head and water tank (Require two people for installation).

- a. First one person gets fan head up, then another person gets the water tank up and put wall bracket into rolling side of wall mount.
- b. Two people together get upper joint into bend tube and tighten holding screw to fix the fan and the bend tube.
- c. Tie power lines of fan motor and misting motor together by using plastic clamp and fix them onto bend tube. Attend to leave enough length for fan oscillation (Each covering wire is hid in the back of water tank.). See picture 3 below.

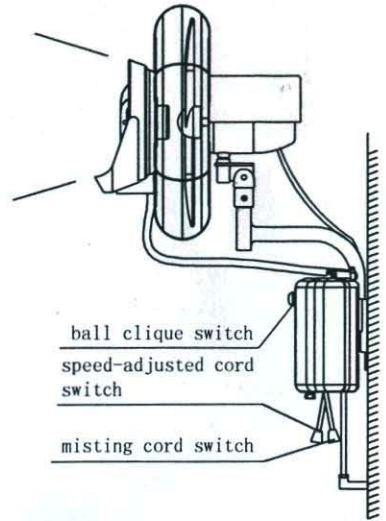


Picture 3

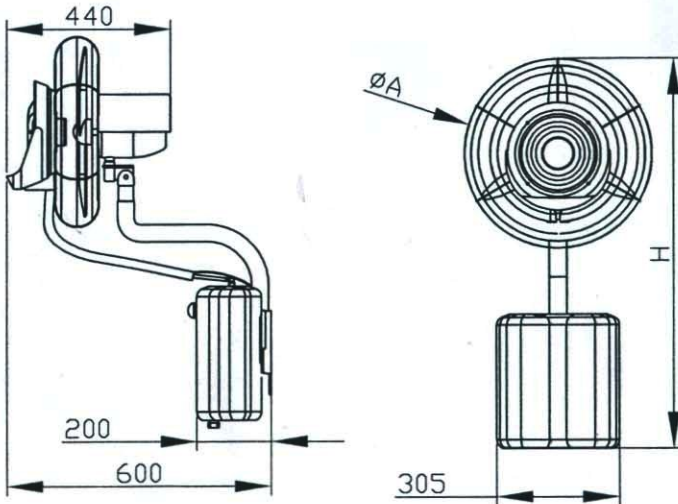
Picture 4

4. Testing:

- a. Make water tank full of water and check each connector of water inlet and see whether the connector are aleak or not.
- b. Turn ball clique switch from "ON" to "OFF" first. Get through power supply and turn on speed-adjusted cord switch on the left to check if fan motor and blades operate in good condition.
- c. Turn on misting cord switch on the right to check if misting motor, water pump and misting plate operate in good condition.
- d. Turn the ball clique switch from "OFF" to "ON" and check misting effect. Mist is bigger and drops come out when operating at the first thirty minutes. But after that, drops disappear gradually and mist becomes normal. See picture 4 below.



OUTER DIMENSION



Performance Model	Item	ϕA	H
	MFW-24		$\phi 660$
MFW-26		$\phi 710$	1140

MAINTENANCE

1. In order to keep the machine beautiful and wearing well, you should clean the machine timely.
2. Please cut off the power before cleaning and disparting front guard and blade. Clean the machine with soft besom and cloth, if possible and you can use some cleanser (please don't use gas or other corrosive liquid) after cleaning please dry the guard and blade with dry cloth, then install the machine reversedly. (Attention: mist system inside misting plate can't be disparted).
3. Please don't let water flow into the motor and wet electric elements during cleaning, also don't crash the blade and change the angle of the blade.
4. In order to keep water clean in water tank, please wash the water tank, water-receiving plate at a proper time.
5. To ensure machine can oscillate smoothly, please add grease oil to the rotary part of oscillating mechanism per a half year.
6. Please clean the machine and seal the whole machine with plastic bag when the machine not being used for a long time.

GUARANTEE

1. Under the normal using conditions, the user can change a new one free and get free repair from seller in one year (from the date of purchase) if quality problem happened.
2. We can promise to repair the machine forever, (but the repair should be charged after one year).
3. We can't give warranty if following problems happened:
 - a. The fault is caused by incorrect dispart, amendment and repair without proceeded by our company.
 - b. The fault is caused by natural disaster or incorrect operation.
 - c. The machine is not sealed by seller and without purchasing date.

CAUTION

1. When opening packing box, please take machine head out as per direction sign.
2. Don't insert hands or any objects into the machine guards and misting plate.
3. Upward and downward angle of machine must be adjusted within stated angle range.
4. Don't install the machine close to curtain and other esy inhalation.
5. Children, elders and weak people can't stand in front of the machine for a long time.
6. If the power cord is broken, please ask professional person to change it with special tools.
7. Please rush cut off the power and send the machine to our factory or appointed repair store to repair by qualified maintenance man if the running machine emit unusual noise, smoke or machine blade can not run after power supply.
8. Except maintenance scope unprofessional person can't dispart, repair and amend the machine.
9. Take away moistureproof things when starting mist function in order to avoid moisture.