

# Super Heavy Duty Blower

Stock Code :  
881102002 - E4-3'' (1PH)  
881102004 - E6-4'' (1PH)



Model  
Capacity  
Power  
Total Head  
Speed  
Voltage  
Frequency  
Net Weight

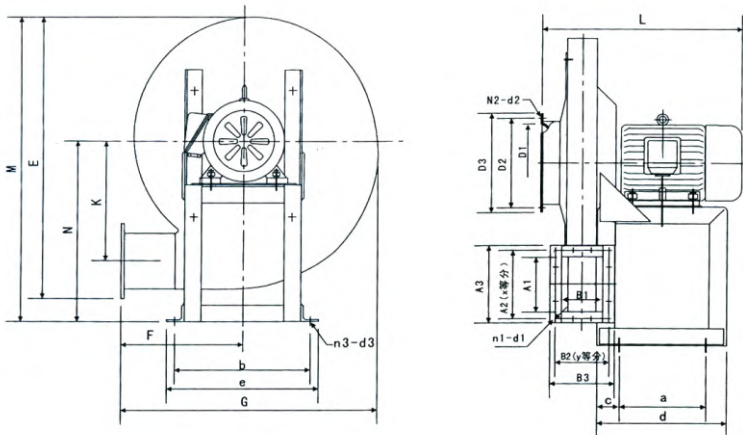
Model	E4-3''(1PH)	E6-4''(1PH)
Capacity	12.1m <sup>3</sup> /min	17.8m <sup>3</sup> /min
Power	760W	1350W
Total Head	1275Pa	1780Pa
Speed	2800rpm	2800rpm
Voltage	230V	230V
Frequency	50Hz	50Hz
Net Weight	17.5kg	21kg

Series 9-19 is a high pressure, high efficiency and low noise. The curve of features is smooth and high efficiency zone is wide. It can be applied to high pressure forcing ventilating for furnace and material conveying for cereal, forage and powered ore.

The airflow should have no corrodible, no flammable and no stickiness. Hard granule is no more than 150mg/m<sup>3</sup>; airflow general temperature is no higher than 50°C, maximum temperature is 80°C.

Series 9-19 air intake is single intake; the position of air outlet is expressed by outlet angle. Six angles of air outlet: 0°, 45°, 90°, 135°, 180° and 225° are available for left rotary and right rotary fan.

Pipe-line of air outlet and intake should mount valve and the valve should be closed when fan starting up. After the fan is running, then open the valve to prescription position. The motor will be destroyed if there have no pipe-line in air outlet and air intake or if the motor has no load. The current of the motor should not exceed its rated current.



## Series 9-19



Stock Code :  
881102010 9-19/4.5A  
881102021 9-19/5A  
881102029 9-19/5.6A



Model	Inlet Diameter				Outlet Diameter							External Dimension							Base Measurement							
	D1	D2	D3	n2-d2	A1	A2	A3	B1	B2	B3	X	Y	n1-d1	E	F	G	K	M	N	L	a	b	c	d	e	n3-d3
4.5A	φ 200	φ 230	φ 254	4 - φ7	144	176	198	104	135	160	4	3	14 - φ7	749	295	657	322	778	450	495	200	390	50	300	440	4 - φ15
5A	φ 224	φ 260	φ 285	4 - φ7	160	192	214	115	150	171	4	3	14 - φ7	829	328	730	358	864	500	580	340	450	50	440	495	4 - φ15
5.6A	φ 250	φ 285	φ 312	8 - φ10	179	212	233	129	162	185	4	3	14 - φ7	925	367	817	401	958	550	690	350	480	50	450	525	4 - φ15

Model	Speed (rpm)	Pressure (Pa)	Air Flow (m <sup>3</sup> /h)	Motor			Size LxWxH (mm)	Weight (kg)
				Model	Power (kW)	Phase/Grade		
4.5A	2900	4603-4447	1174-2062	Y112M-2	4.0	3/2	600x661x782	54
5A		5697-5323	1610-3166	Y132S2-2	7.5	3/2	700x734x868	66
5.6A		7182-7236	2262-3167	Y160M1-2	11.0	3/2	818x821x962	90

\*\*\*Product's specification may subject to change without further notice.  
\*\*\*Actual product may slightly differ from pictures shown.

ESM195 - i  
(10/09/11)