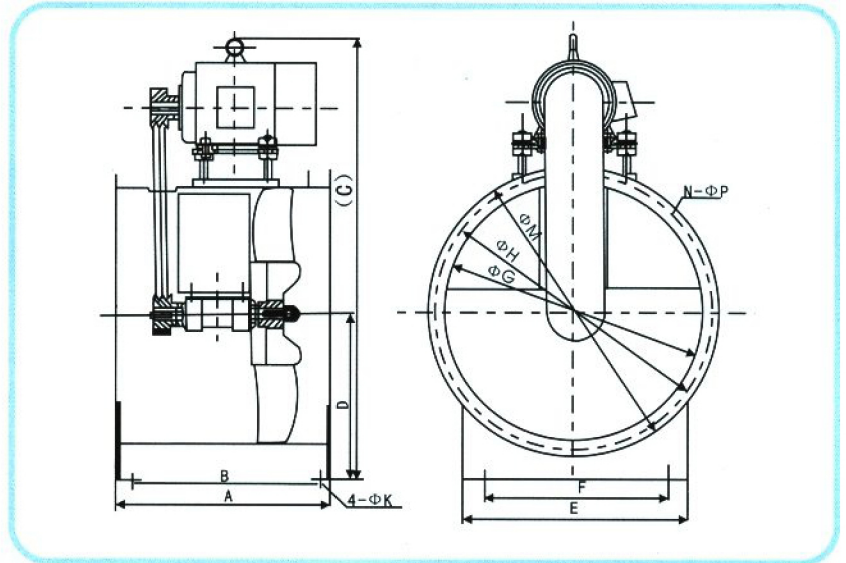


Vitali[®]

Axial Fan (Belt Driven)

series T40



Axial Fan (Belt Type)		T40-4C (880217022)	T40-5C (880217023)
Power / Phase	kW / PH	0.75 / 3	1.1 / 3
Speed	rpm	1450	1450
Flow	m ³ / h	4120	8000
Max. Pressure	Pa	95	149
Blade Angle	°	30	30
Gross Weight	kg	65	67
Net Weight	kg	58	61
Measurement (mm)	A	500	500
	B	430	430
	C	715	920
	D	269	315
	E	370	430
	F	290	350
	G	410	510
	H	440	540
	M	470	575
	K	12	12
	N- P	8 -Ø 9	

***Product's specification may subject to change without further notice.
 ***Actual product may slightly differ from pictures shown.