



SANSO MAGNET PUMP

PMD Series

PMD

Made of poly-propylene reinforced by glassfiber

MAGNET PUMP FOR CHEMICAL & SEA WATER



PMD371



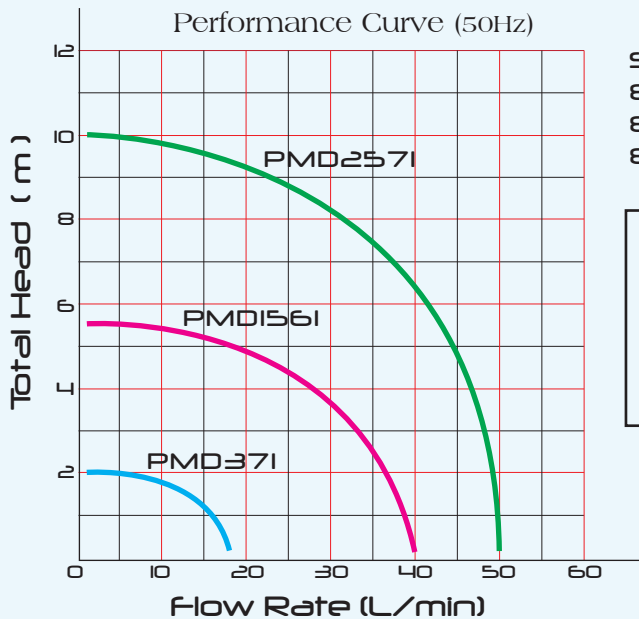
PMD1561



PMD2571

Specification

	PMD371	PMD1561	PMD2571
Voltage	220 V	220 V	220 V
Frequency	50 Hz	50 Hz	50 Hz
Power	15 W	120 W	250 W
Ampere	0.19 A	0.79 A	2.2 A
Indoor • Liquid Temp.	60 °C	60 °C	60 °C
Revol.	2750 min ⁻¹	2870 min ⁻¹	2720 min ⁻¹
Head	2 m	5.5 m	10 m
Flow Rate	18 L/min	40 L/min	50 L/min



Stock Code :
 881213012 - PMD371
 881213013 - PMD1561
 881213014 - PMD2571

- * The above flow rates shall be based upon the condition that the water is clean and normal temperature.
- * Liquid temperature shall be 60 °C or less.
- * Voltage can be adjusted to customer's requirement.

*** Product's specification may subject to change without further notice.
 *** Actual product may slightly differ from pictures shown.



SANSO MAGNET PUMP

PMD Series

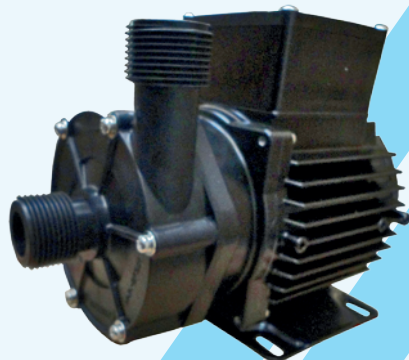
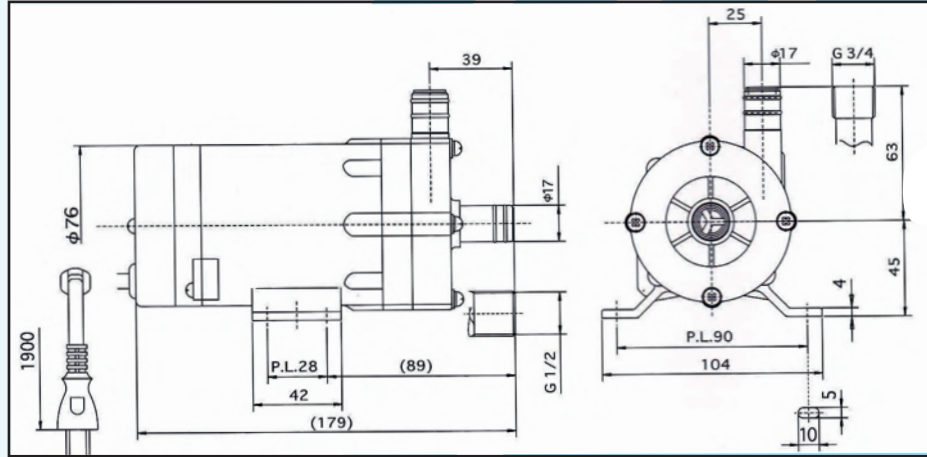
PMD

Made of poly-plopylene reinforced by glassfiber

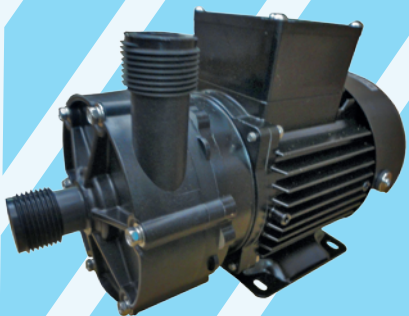
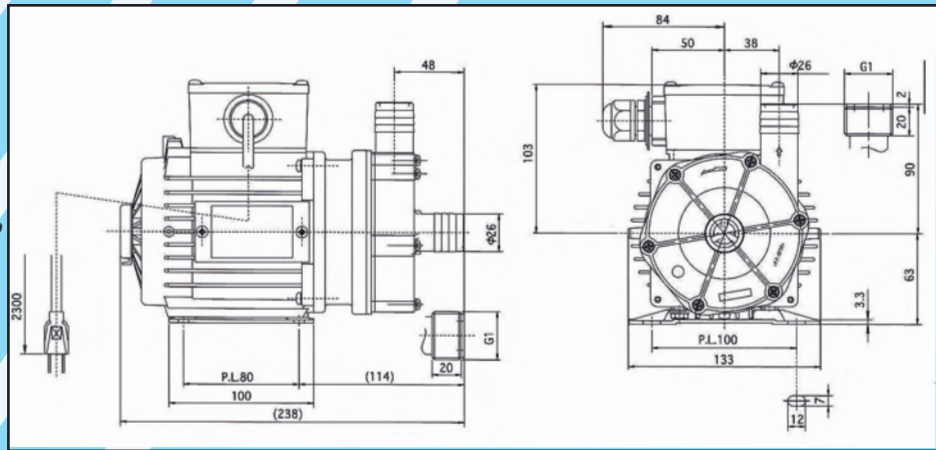
MAGNET PUMP FOR CHEMICAL & SEA WATER



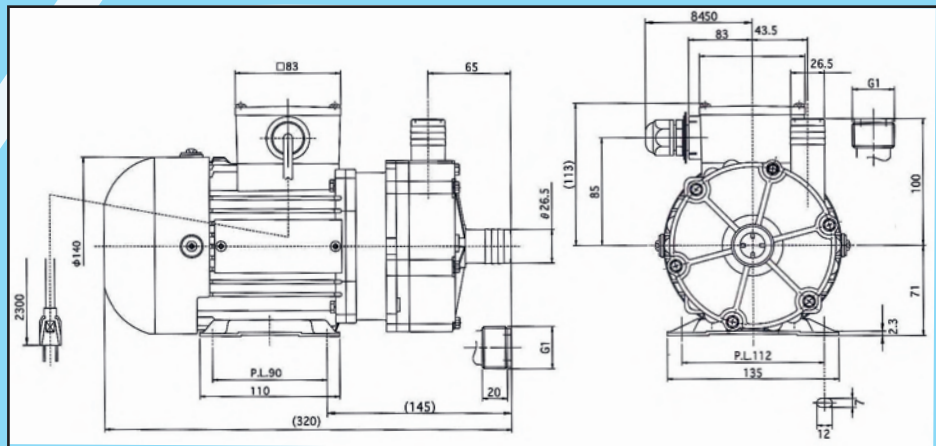
PMD371



PMD1561



PMD2571



- * The above flow rates shall be based upon the condition that the water is clean and normal temperature.
- * Liquid temperature shall be 60 °C or less.
- * Voltage can be adjusted to customer's requirement.

*** Product's specification may subject to change without futher notice.
*** Actual product may slightly differ from pictures shown.